



## 233-600 Fliptop Gear - Roof systems for lengths up to 6m

Fliptop Gear is our manual system, which opens from one side and uncovers it for loading. Fliptop Gear Maneuvers with a Crank that with two gearboxes opens and closes the system. This makes the maneuvering very easy and takes away the problem that a long lever can give.

Ends and the longitudinal tube are made of galvanized steel. All moveable tubes and linkage in the ends are manufactured in aluminum to save weigh and make the roof easier to open. The gearbox houses are in aluminum, shafts and couplings are made of high quality steel. All the fulcrums is stored with bearing bushes.

---

### **System:**

#### **233-600 Fliptop Gear**

This includes: Gable without gearboxes, Gable with gearboxes, Central tube, Side tube, Screw kit, Tie down rings and Crank.

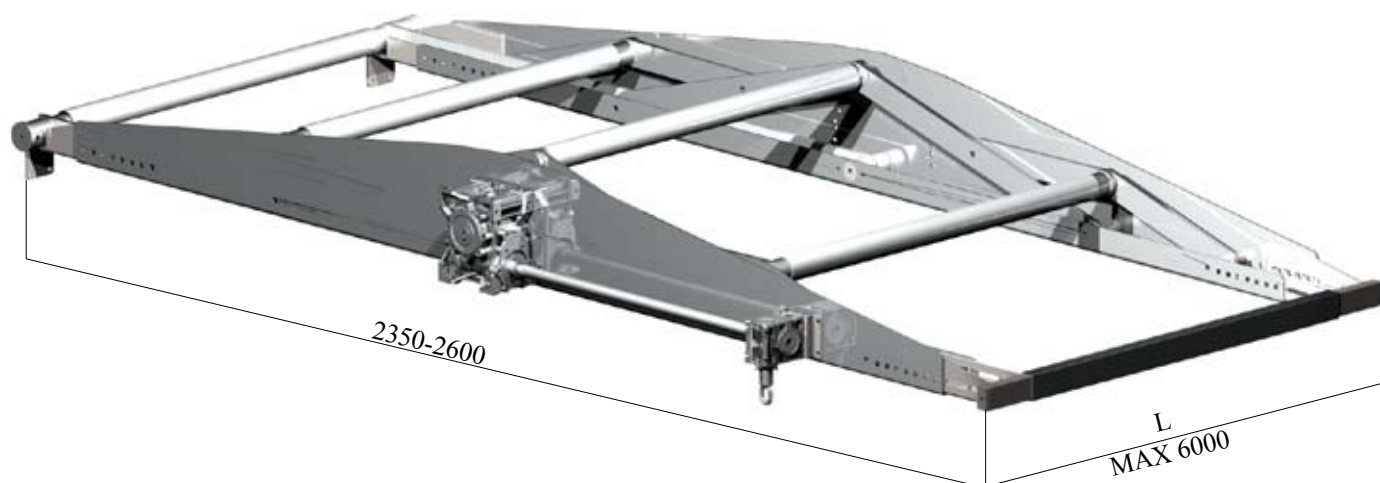
### **Tarpaulin:**

- |   |        |
|---|--------|
| <b>233-000-1</b> Fliptop Gear tarpaulin single layer    | L=4-5m |
| <b>233-000-11</b> Fliptop Gear tarpaulin single layer   | L=5-6m |
| <b>233-000-2</b> Fliptop Gear tarpaulin double layer    | L=4-5m |
| <b>233-000-22</b> Fliptop Gear tarpaulin double layer   | L=5-6m |
| <b>233-000-3</b> Fliptop Gear tarpaulin isolated layer  | L=4-5m |
| <b>233-000-33</b> Fliptop Gear tarpaulin isolated layer | L=5-6m |

This includes: tarpaulin and mounting details.

### **Accessories:**

- 188-569-2** Straight bracket for side tube
- 188-570-2** Angle bracket for side tube
- 233-112** QuickLock
- 233-580** Stop sleeve, QuickLock
- 233-405** Crank (1 st is included in the system)

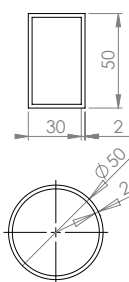


## Article list - art.nr. 233-600

1 st **233-404** Gable with gearboxes  
Aluminum and gavlvanized  
45 kg

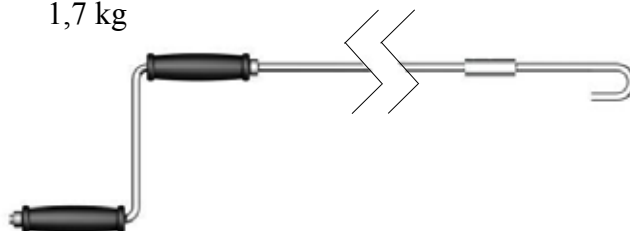
1 st **233-402** Gable  
Aluminum and gavlvanized  
29 kg

1 st **12329 FZB** Steel tube 50x30x2  
Galvanized L=6000  
2,4 kg/m

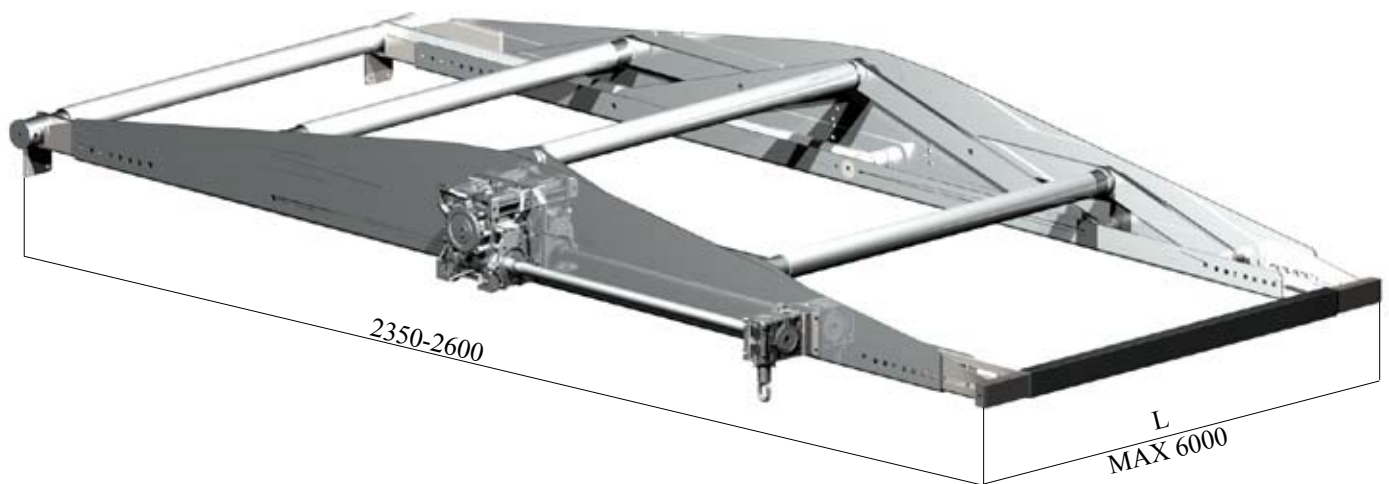


4 st **72861** Aluminum tube 50x2  
L=6000  
0,9 kg/m

1 st **233-405** Crank  
Galvanized  
1,7 kg



1 st **233-150** Screw kit  
4 st M8x20  
2 st M8x45  
8 st M8x65  
10 st M8 Locknut  
1 kg  
20 st Washer 9x28x2  
2 st Tie down rings  
4 st Rope clamps



## Article list - art.nr. 233-600 Accessories

**188-569-2** Bracket  
Galvanized  
0,4 kg



**188-570-2** Bracket  
Galvanized  
0,1 kg



**233-112** QuickLock  
Stainless steel  
1 kg



**233-580** Stop  
Stainless steel  
0,1 kg

