



800-001 Fliptop Multi Hydraulic - Roof systems for lengths up to 9m

Fliptop Multi Pneumatic is our system that opens from the middle to the sides, the opening is done by a hydraulic cylinder, mounted in the front or back. Long systems have cylinder in both ends.

The Cylinders and the throttle valve is included, but the control valve is not. Optional several hydraulic components can be ordered, also hydraulic powerpack units with remote control. All the fulcrums are stored with bearing bushes.

System:

800-003-6 Fliptop Multi Hydraulic 2200-2400 6M

800-004-6 Fliptop Multi Hydraulic 2400-2600 6M

This includes: Gable without cylinder, Gable with cylinder, Central tube, Side tube, Screw kit and Throttle valve in the cylinder.

800-003-7 Fliptop Multi Hydraulic 2200-2400 7M

800-004-7 Fliptop Multi Hydraulic 2400-2600 7M

This includes: Gable without cylinder, Gable with cylinder, Central tube, Side tube, Middle support arc, Screw kit and Throttle valve in the cylinder.

800-003-9 Fliptop Multi Hydraulic 2200-2400 7-9M

800-004-9 Fliptop Multi Hydraulic 2400-2600 7-9M

This includes: Gable without cylinder, Gable with cylinder, Central tube, Side tube, Screw kit, Middle support with middle tubes connected and Throttle valve in the cylinder.

Tarpaulin:

188-000-2 Fliptop Multi Hydraulic Tarpaulin Single layer L=4-5M

188-000-22 addition Multi Hydraulic for lengths over 5M

188-000-7 Fliptop Multi Hydraulic Tarpaulin Double layer L=4-5M

188-000-77 addition Multi Hydraulic for lengths over 5M

188-000-8 Fliptop Multi Hydraulic Tarpaulin Isolated layer L=4-5M

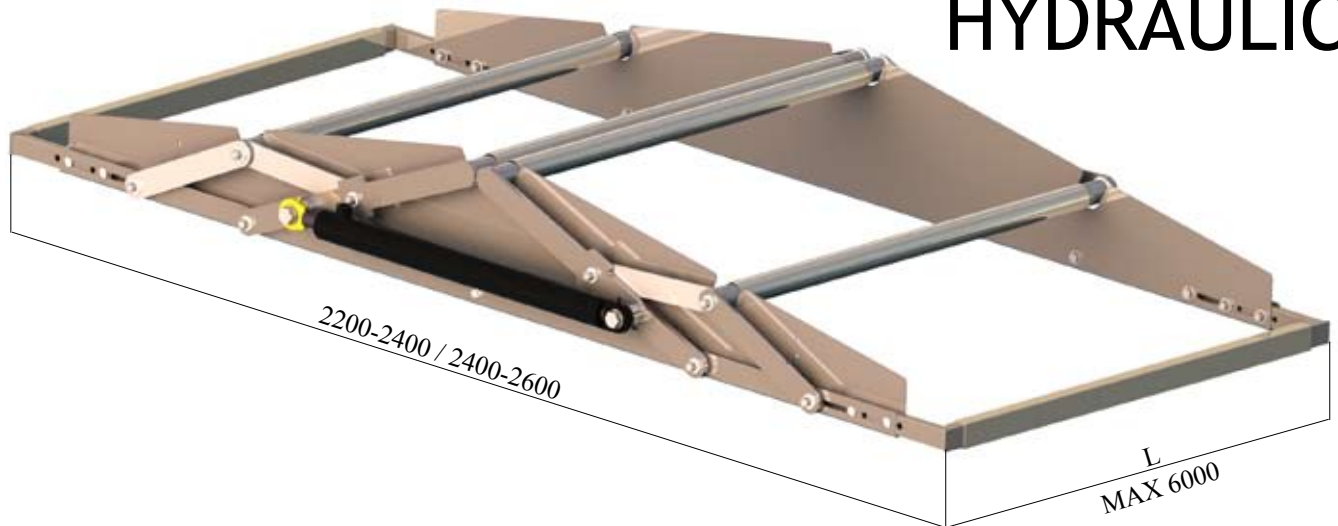
188-000-88 addition Multi Hydraulic for lengths over 5M

This includes: Cover and mounting details.

Accessories:

188-569-2 Straight bracket for side tube.

188-570-2 Angle bracket for side tube.

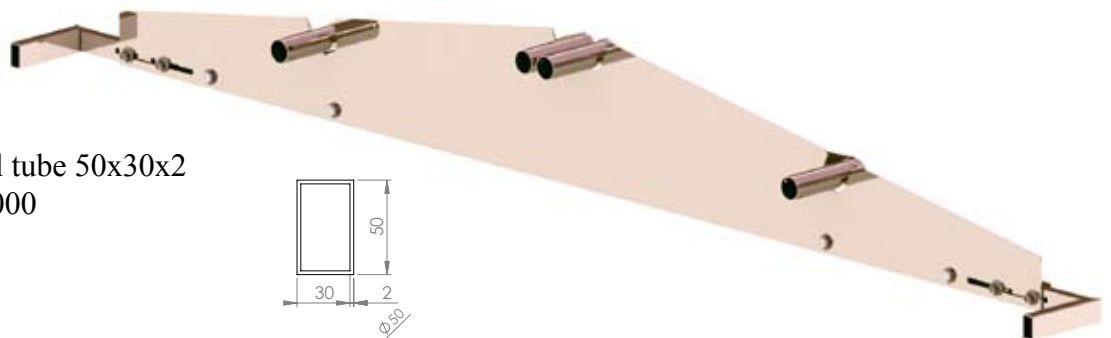


Article list - art.nr. 800-(003/004)-6

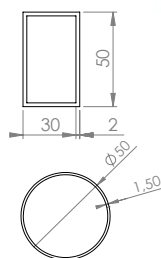
- 1 st **800-105 (2200-2400)**
800-107 (2400-2600)
Gable with cylinder
Galvanized
34 kg



- 1 st **800-102 (2200-2400)**
800-104 (2400-2600)
Gable
Galvanized
29 kg

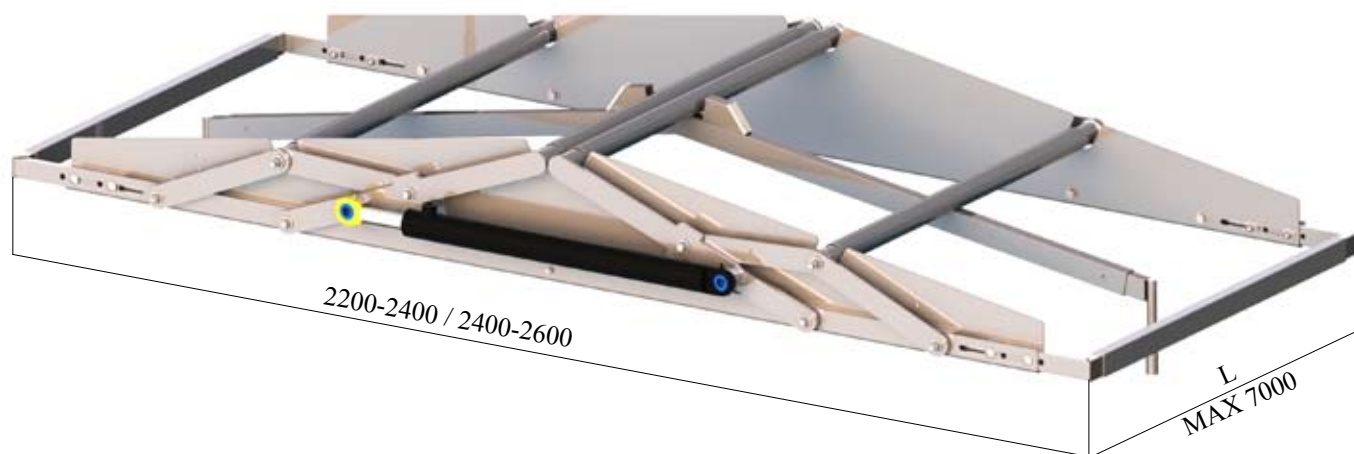


- 2 st **12329 FZB Steel tube 50x30x2**
Galvanized L=6000
2,4 kg/m



- 4 st **18622 FZB Steel tube 50x1,5**
Galvanized L=6000
1,8 kg/m

- 1 st **800-119 Screw kit**
4 st M8x45 24 st Washer 9x28x2
8 st M8x65
12 st M8 Locknut

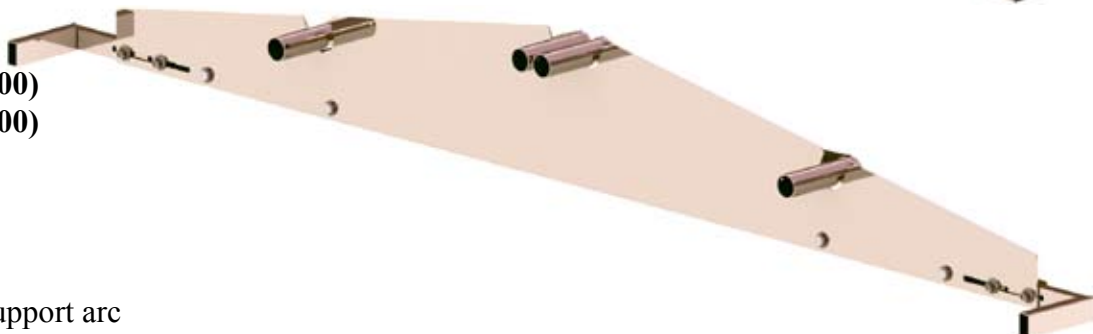


Article list - art.nr. 800-(003/004)-7

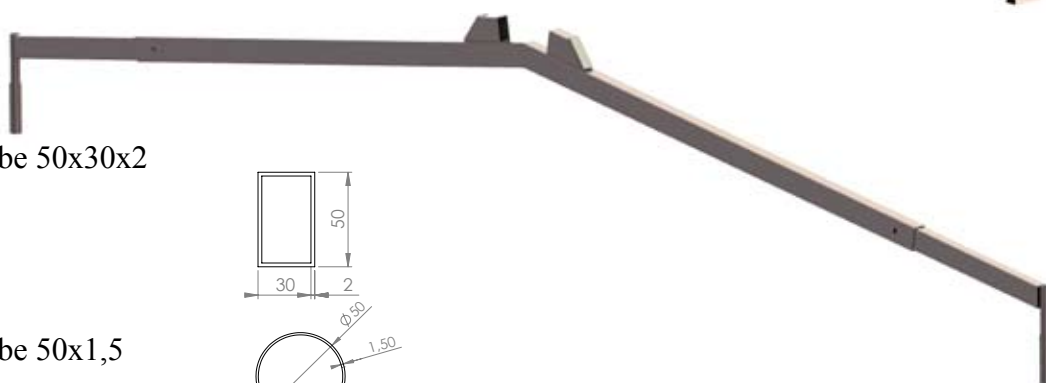
- 1 st **800-105 (2200-2400)**
800-107 (2400-2600)
 Gable with cylinder
 Galvanized
 34 kg



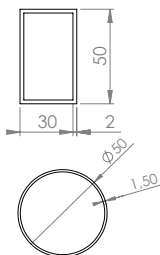
- 1 st **800-102 (2200-2400)**
800-104 (2400-2600)
 Gable
 Galvanized
 29 kg



- 1 st **800-117** Middle support arc
 Galvanized
 8 kg



- 2 st **12329 FZB** Steel tube 50x30x2
 Galvanized L=6000
 2,4 kg/m



- 4 st **18622 FZB** Steel tube 50x1,5
 Galvanized L=6000
 1,8 kg/m

- 1 st **800-119** Screw kit
 4 st M8x45
 8 st M8x65
 12 st M8 Locknut

- 24 st Washer 9x28x2



Article list - art.nr. 800-(003/004)-9

2 st **800-105 (2200-2400)**

800-107 (2400-2600)

Gable with cylinder

Galvanized

34 kg



1 st

800-120 (2200-2400)

800-118 (2400-2600)

Middle support with middle tubes connected

Galvanized

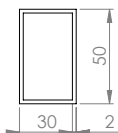
27 kg



2 st **12329 FZB Steel tube 50x30x2**

Galvanized L=6000

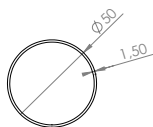
2,4 kg/m



4 st **18622 FZB Steel tube 50x1,5**

Galvanized L=6000

1,8 kg/m



1 st **800-119 Screw kit**

4 st M8x45

8 st M8x65

12 st M8 Locknut

24 st Washer 9x28x2



Article list - art.nr. Multi Hydraulic Accessories

188-569-2 Bracket
Galvanized
0,4 kg



188-570-2 Bracket
Galvanized
0,1 kg

