



## 800-(001/002) Fliptop Multi Manual - Roof system for lengths up to 6m

Fliptop Multi Manual is our manual system, which opens from the middle to the sides.

Fliptop Multi Manual maneuvers with 2 levers, in the front or back depending on space available or demand. The levers position is adjustable when mounted. Fliptop Multi is easy to open, have a low cost and is easy to mount.

The whole system is made in galvanized steel, the opening levers have a lock when opened or closed. A draw wire is connected to the lock and automatically opens when the draw wire is charged. And the fulcrums are stored with bearing bushes.

---

### System:

#### **800-001 Fliptop Multi Manual System 2200-2400**

This includes: Gable without levers, Gable with levers, Central tube, Side tube, Screw kit, and Draw wires.

#### **800-002 Fliptop Multi Manual System 2400-2600**

This includes: Gable without levers, Gable with levers, Central tube, Side tube, Screw kit, and Draw wires.

### Tarpaulin:

**188-000-2** Fliptop Multi Manual Tarpaulin Single layer L=4-5m

**188-000-22** Addition Multi Manual for lengths over 5m

**188-000-7** Fliptop Multi Manual Tarpaulin Double layer L=4-5m

**188-000-77** Addition Multi Manual for lengths over 5m

**188-000-8** Fliptop Multi Manual Tarpaulin Isolated layer L=4-5m

**188-000-88** Addition Multi Manual for lengths over 5m

This includes: Cover and mounting details.

### Accessories:

**188-569-2** Straight bracket for side tube.

**188-570-2** Angle bracket for side tube.

**800-117** Middle support arc

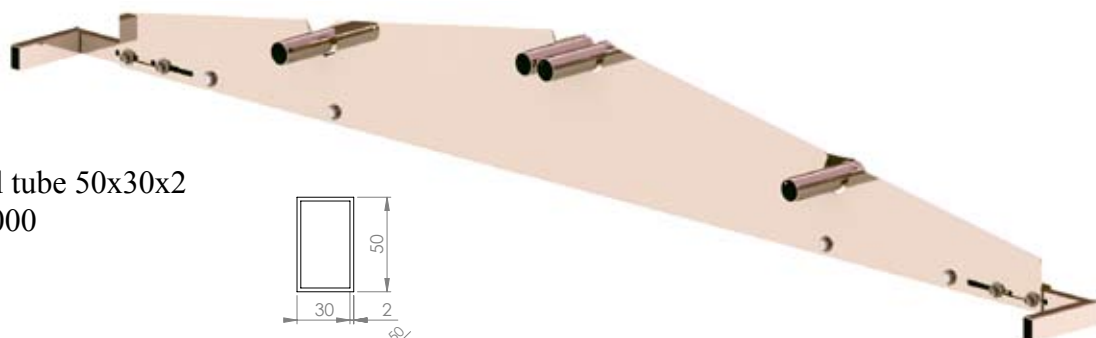


## Article list - art.nr. 800-001 (2200-2400)

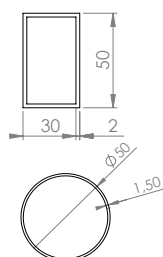
1 st **800-101** Gable with levers  
Galvanized  
34 kg



1 st **800-102** Gable  
Galvanized  
29 kg



2 st **12329 FZB** Steel tube 50x30x2  
Galvanized L=6000  
2,4 kg/m

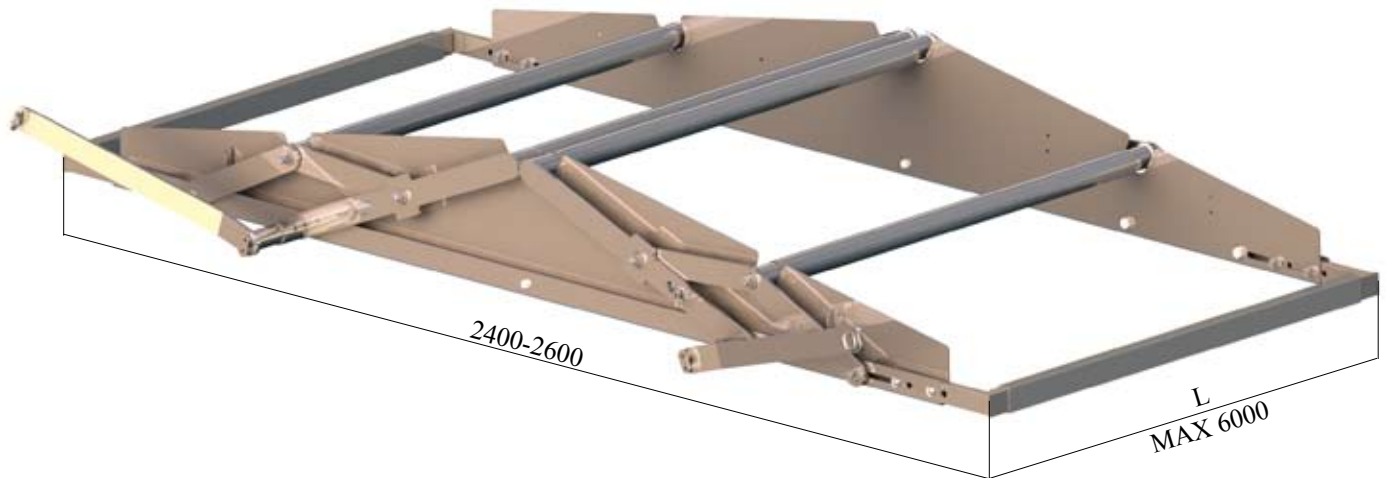


4 st **18622 FZB** Steel tube 50x1,5  
Galvanized L=6000  
1,8 kg/m

1 st **800-119** Screw kit  
4 st M8x45  
8 st M8x65  
12 st M8 Locknut

24 st Washer 9x28x2

2 st **233-154** Draw wire

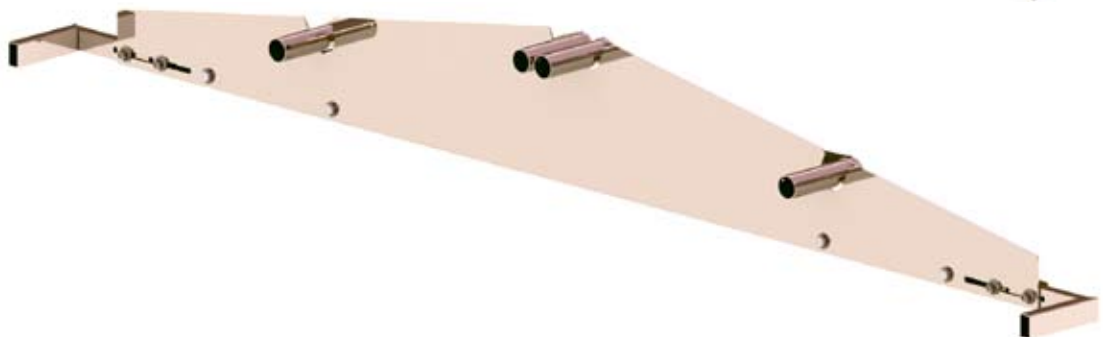


## Article list - art.nr. 800-002 (2400-2600)

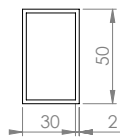
1 st **800-103** Gable with levers  
Galvanized  
34 kg



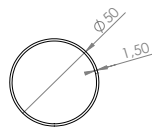
1 st **800-104** Gable  
Galvanized  
29 kg



1 st **12329 FZB** Steel tube 50x30x2  
Galvanized L=6000  
2,4 kg/m



4 st **18622 FZB** Steel tube 50x1,5  
Galvanized L=6000  
1,8 kg/m



1 st **800-119** Screw kit  
4 st M8x45  
8 st M8x65  
12 st M8 Locknut

24 st washer 9x28x2

2 st **233-154** Draw wire





## Article list - Multi Manual Accessories

---

**188-569-2** Bracket  
Galvanized  
0,4 kg



**188-570-2** Bracket  
Galvanized  
0,1 kg



**800-117** Middle support Arc  
Galvanized  
8 kg

