

Company: \_\_\_\_\_

\_\_\_\_\_  
 \_\_\_\_\_  
 \_\_\_\_\_

Reference: \_\_\_\_\_

Phone: + \_\_\_\_\_

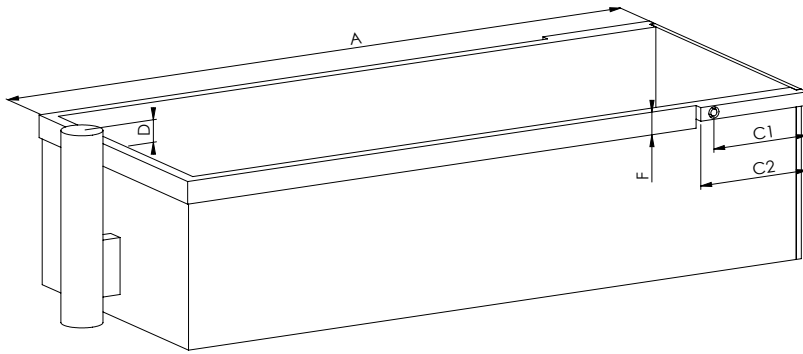
VAT NO. \_\_\_\_\_

Shipping adress: \_\_\_\_\_

\_\_\_\_\_  
 \_\_\_\_\_  
 \_\_\_\_\_

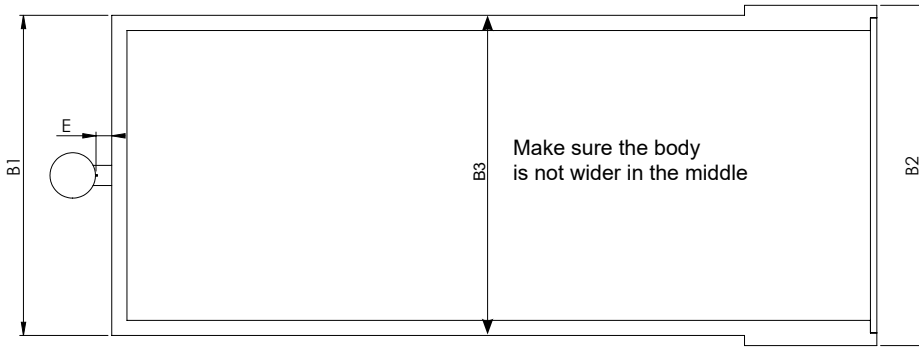
Reference: \_\_\_\_\_

Phone: + \_\_\_\_\_



### DIMENSIONS

- A = Length
- B1 = Width
- B2 = Door Width
- B3 = Middle Width
- C1 = Distance to Hinge
- C2 = Total Distance of Door
- D = Height of cylinder (+/-)
- E = Distance to Cylinder
- F = Height of Frame



A \_\_\_\_\_  
 B1 \_\_\_\_\_  
 B2 \_\_\_\_\_  
 B3 \_\_\_\_\_  
 C1 \_\_\_\_\_  
 C2 \_\_\_\_\_  
 D \_\_\_\_\_  
 E \_\_\_\_\_  
 F \_\_\_\_\_

### SYSTEM TYPE

Manual  Motor + Remote  Drivers side (standard)  Opposite side

### OPERATING SIDE

### ARC HEIGHT

300mm (standard)  400mm  500mm  600mm  Special request: \_\_\_\_\_

### CLOSING

Rear Closing with flap + rubber straps (standard)  Automatic rear closing

### WIND HOOKS

Wind hook (outside)  Wind hook + Z-profile  Wind hook (inside)  How many (per side)? \_\_\_\_\_

### TARPAULIN

### TARPAULIN THICKNESS

Single layer (standard)  Insulated  Tarpaulin thickness 680 g/m<sup>2</sup> (standard)  900g/m<sup>2</sup>

Color \_\_\_\_\_ RAL no. \_\_\_\_\_

### ADDITIONAL INFORMATION